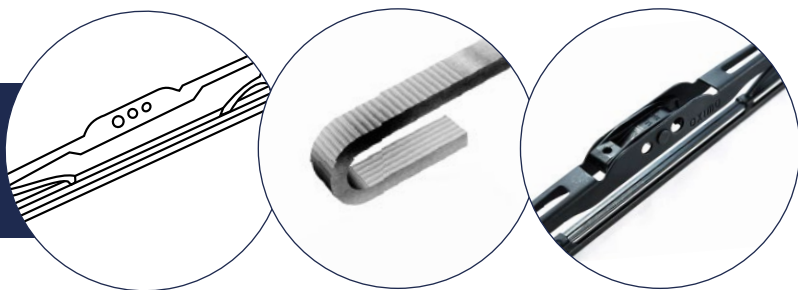
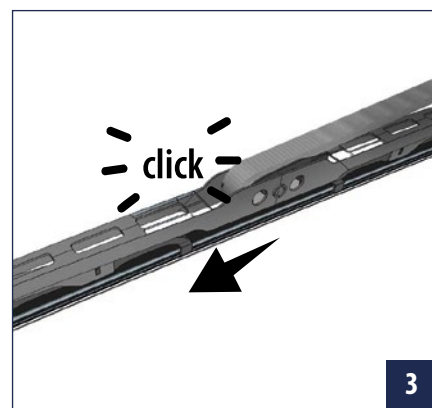
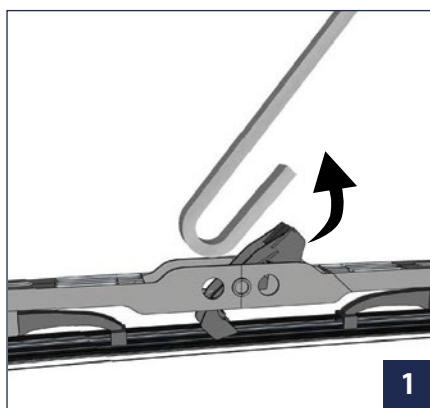


U-TYPE



**OXIMO**<sup>®</sup>  
SIMPLY WORKS

# WUSxxx



PRODUCER

**OXIMO Sp. z o.o.**  
Topolowa 1a, 84-207 Łężyce, Poland  
e-mail: [biuro@oximo.pl](mailto:biuro@oximo.pl)  
[www.oximo.pl](http://www.oximo.pl)

PREMIER  
**TecDoc**<sup>®</sup>  
DATA SUPPLIER

EAC



**ASSEMBLY MANUAL**  
**INSTRUKCJA MONTAŻU**